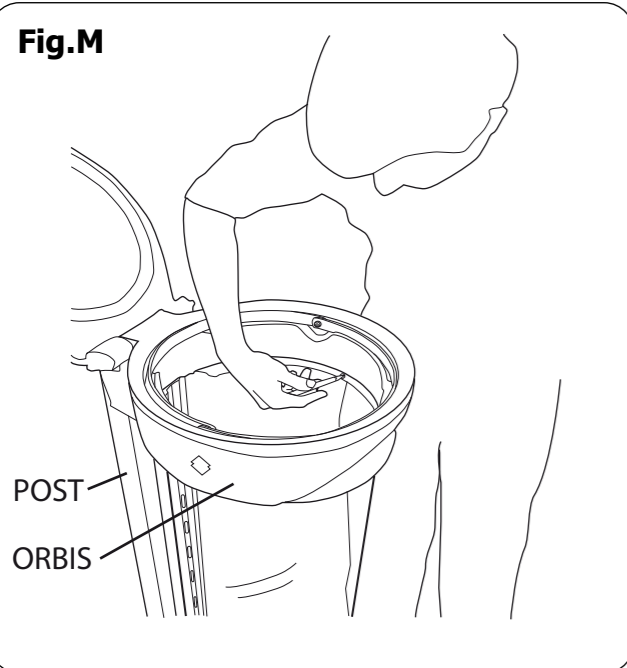
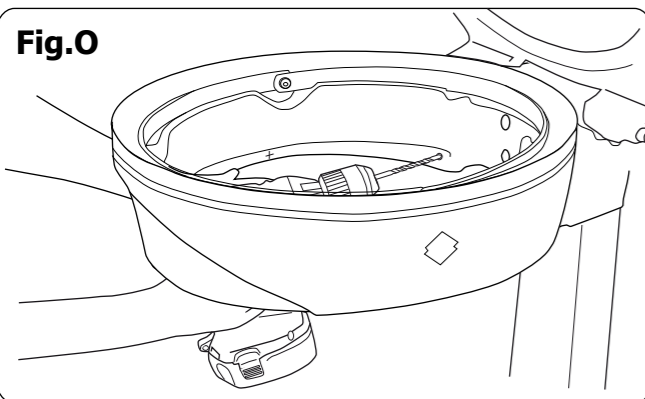


Fig.M



4. Place the assembled polycarbonate shield into position inside the Orbis ring ensuring the fixing holes of the shield are at the top.
5. Ensure the polycarbonate shield fixing tabs are aligned to the ground fixing post at the rear. Mark the 5 holes in the shield onto the inside of the Orbis with a pencil (Fig.M).
6. Remove the shield from the Orbis ring and drill the 5 holes just marked with the M5 Drill Bit (Fig.O).
7. Fit the M6 threaded inserts (Item 2) into each of the holes until finger tight, then tighten fully with the M6 Allen Key (Fig.P).

Fig.O



8. Replace the shield and fix into place using the M6 button head screws (Item 3) and washers (Item 4). Tighten each by hand before tightening with the M4 Allen Key (Fig.Q).

Fig.P

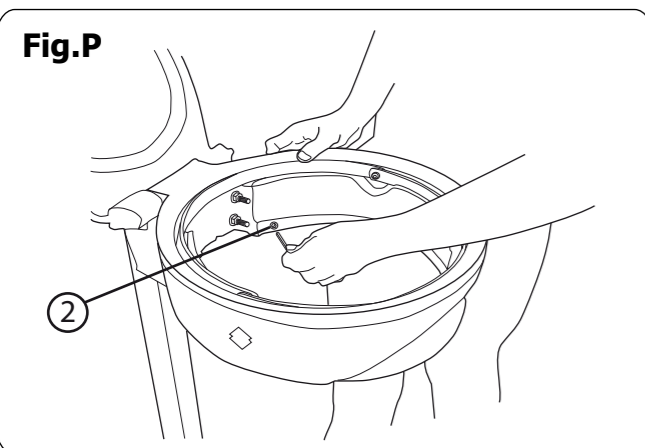
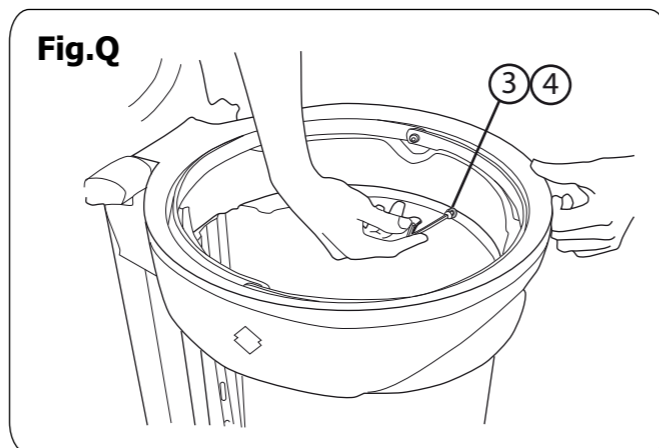


Fig.Q



Glasdon AND ORBIS IS A TRADEMARK OF GLASDON GROUP AND ITS SUBSIDIARIES IN THE U.K. AND OTHER COUNTRIES.

Replacement components are available direct from GLASDON.

GLASDON cannot be held responsible for claims arising from incorrect installation, unauthorised modifications or misuse of the product.

Issue 1 February 2010 C000/0355
© Copyright 2010
Glasdon U.K. Ltd reserves the right to alter specifications without prior notice.

Glasdon

Glasdon U.K. Limited
Preston New Road
BLACKPOOL
Lancashire FY4 4UL
Tel: 01253 600410
Fax: 01253 792558
E-mail: sales@glasdon-uk.co.uk
Web: www.glasdon.com



ORBIS™ BIN INSTRUCTION LEAFLET

NOTE: Ensure that all relevant personnel read the points listed below and that a copy is passed on to staff involved with the installation. Please also refer to the 'Manual Handling Operations Regulations 1992' during the handling of the product and materials used for installation.

OPERATION:

1. Open the lid completely by pushing past the bump feature in the 2-stop knuckle hinge (Fig.A).
2. Raise the sack bands.
3. Drop sack into the centre of the orbis and wrap the top around the sack bands (Fig.B).
4. Push the sack bands back into place and close the lid.
5. To replace the sack slowly raise the sack bands to allow the sack to slide through, and remove.

Fig.A

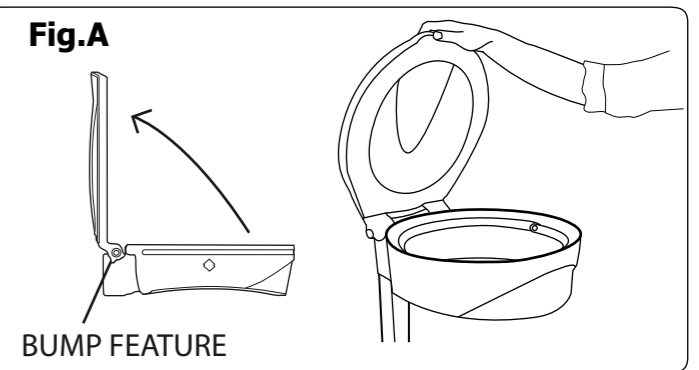


Fig.B



INSTALLATION:

WALL MOUNTING

KIT CONTENTS:

- ITEM 1. M8 x 100mm Bolt x 4
- ITEM 2. M8 x 20mm Washer x 4

TOOLS REQUIRED:

- M6 x 120mm Masonry Drill Bit
- Hand Drill
- 12mm Torque Wrench

1. Hold the Orbis ring against the wall at the desired height and mark the 4 off hole positions.
2. Drill the 4 marked holes with the M6 Drill Bit (Fig.C).
3. Brush or blow all dust out of the 4 holes.
4. Insert bolts (Item 1) and washers (Item 2) through the inside of the Orbis and into the wall (Fig. D). Apply pressure and screw into the wall with a 12mm wrench. Tighten to 25Nm.

NOTE: Suitable for use in concrete, brick, block and stone walls. Any other walls should be individually assessed and the appropriate fixings utilised with M8 x 20mm Washers.

Fig.C

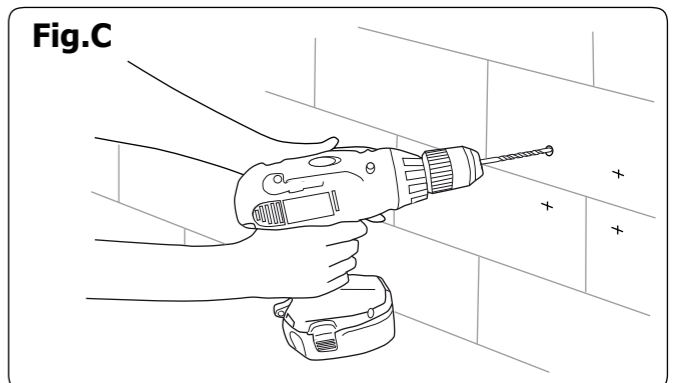
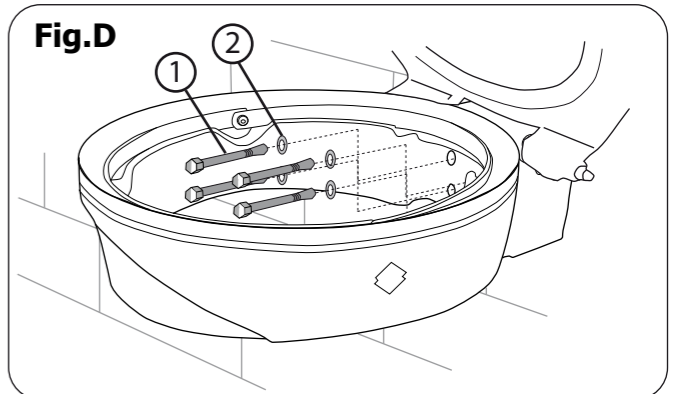


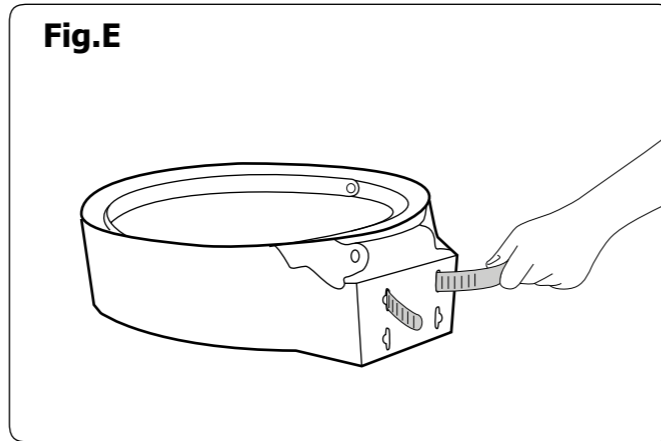
Fig.D



POST MOUNTING

For post mounting please follow instructions supplied with your Tamtorque™ banding or if using alternative banding follow suppliers recommendations.

1. Insert each band through one slot in the back of the Orbis and back out through the slot next to it (Fig.E).
2. Both bands can then be secured around the post.



SURFACE MOUNTING

NOTE: We would recommend that the post be installed onto a concrete foundation. If preparing a new foundation we would recommend a size of 400 x 400 x 300mm deep.

KIT CONTENTS:

ITEM 1. Bolt Down Post	x 1
ITEM 2. M10 x 100mm Anchor Bolt	x 4
ITEM 3. M10 Black Security Cap	x 4

TOOLS REQUIRED:

M12 x 120mm Masonry Drill Bit
Hand Drill
17mm Socket Wrench
Hammer

1. Hold the post in the desired position and mark 4 holes into the ground.
2. Drill the 4 holes to a depth of 100mm with the M12 Drill Bit.
3. Brush or blow dust out of the 4 holes.
4. Insert bolts through the post and into the ground and tighten with the 17mm socket (Fig.F).
5. Finally push the 4 Black caps over the bolt heads and gently tap into place (Fig.G) to offer tamper resistance.

Fig.F

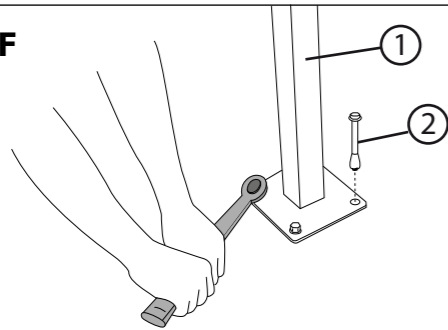
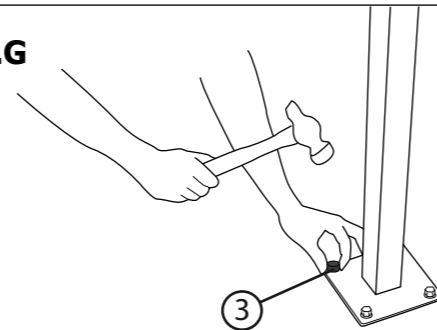


Fig.G



FREE STANDING

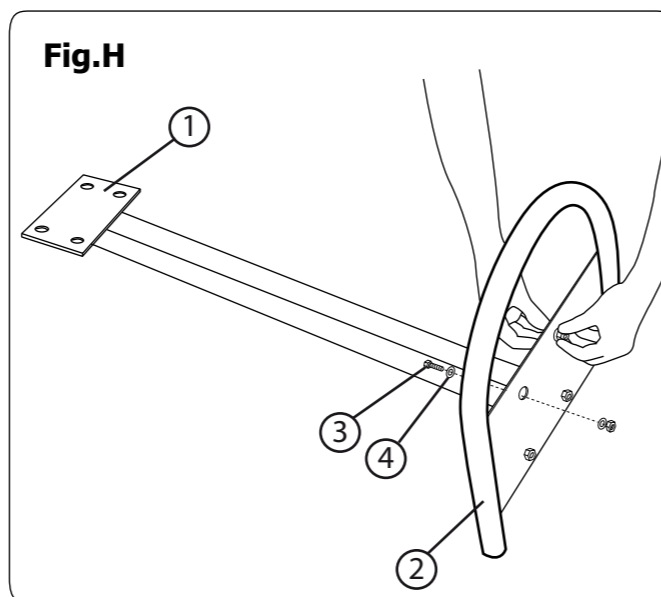
KIT CONTENTS:

ITEM 1. Bolt Down Post	x 1
ITEM 2. Free Standing Base	x 1
ITEM 3. M10 x 35mm Bolt	x 4
ITEM 4. M10 Washer	x 8
ITEM 5. M10 Black Security Cap	x 4

TOOLS REQUIRED:

17mm Spanner x 2
Hammer

1. Insert the bolts and washers (Items 3 & 4) through the post (Item 1) and into the base (Item 2), ensuring that the bolt heads face up. Secure with a washer and nut on the underside of the base (Fig.H).
2. Tap the black caps (Item 5) over the bolt heads (Fig.G).



ASSEMBLY OF ORBIS BIN ONTO POST

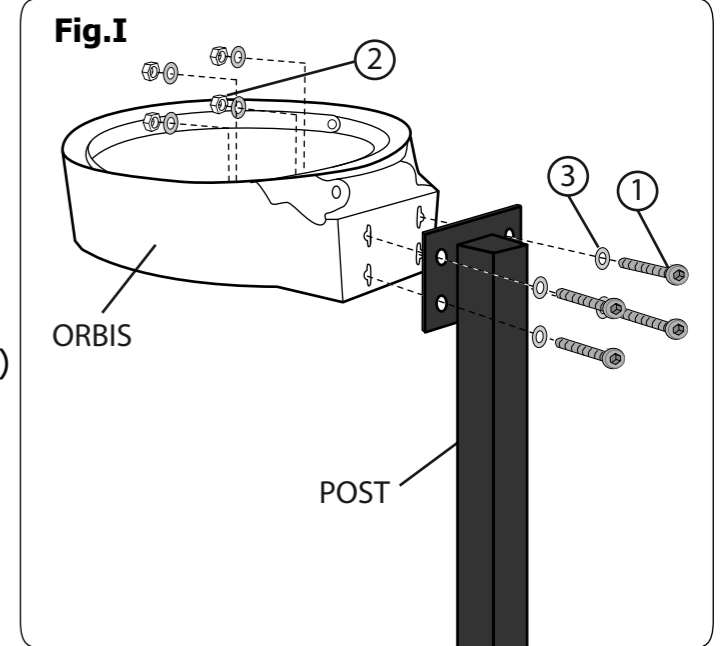
KIT CONTENTS:

ITEM 1. M8 x 80mm Socket button Screw	x 4
ITEM 2. M8 Nyloc Nut	x 4
ITEM 3. M8 x 20mm Washer	x 8

TOOLS REQUIRED:

12mm Spanner
6mm Allen Key (Supplied)

1. Position your Orbis sack ring onto front of post and align holes.
2. Insert screw (Item 1) and washer (Item 3) through the rear of the post and into the Orbis ring (Fig.I).
3. Secure in position from inside the Orbis with Nyloc nut (Item 2) and washer (Item 3).
4. Tighten using the 6mm Allen Key and 12mm spanner.



POLYCARBONATE SHIELD - ASSEMBLY

NOTE: For Pre-Assembled model please skip steps 4-7 as the product is supplied with these components pre-fitted.

KIT CONTENTS:

ITEM 1. Polycarbonate Sheet	x 1
ITEM 2. M6 Threaded Inserts	x 5
ITEM 3. M6 x 16mm Button Screw	x 5
ITEM 4. M6 Washer	x 5

TOOLS REQUIRED:

M5 Drill Bit
Hand Drill
Pencil
4mm and 6mm Allen Keys (Supplied)

1. Place the Polycarbonate sheet (Item 1) on a clean, flat level surface (Fig.J).
2. Fold the sheet and begin slotting the 'T' tabs into the corresponding slots on the opposite end of the sheet (Fig.K).
3. Start from one end of the sheet and slot each tab in turn. 2 people may be required to fold the sheet and locate the first tab. The remaining slots can be fitted by an individual (Fig.L).

Continued on Page 4.

